

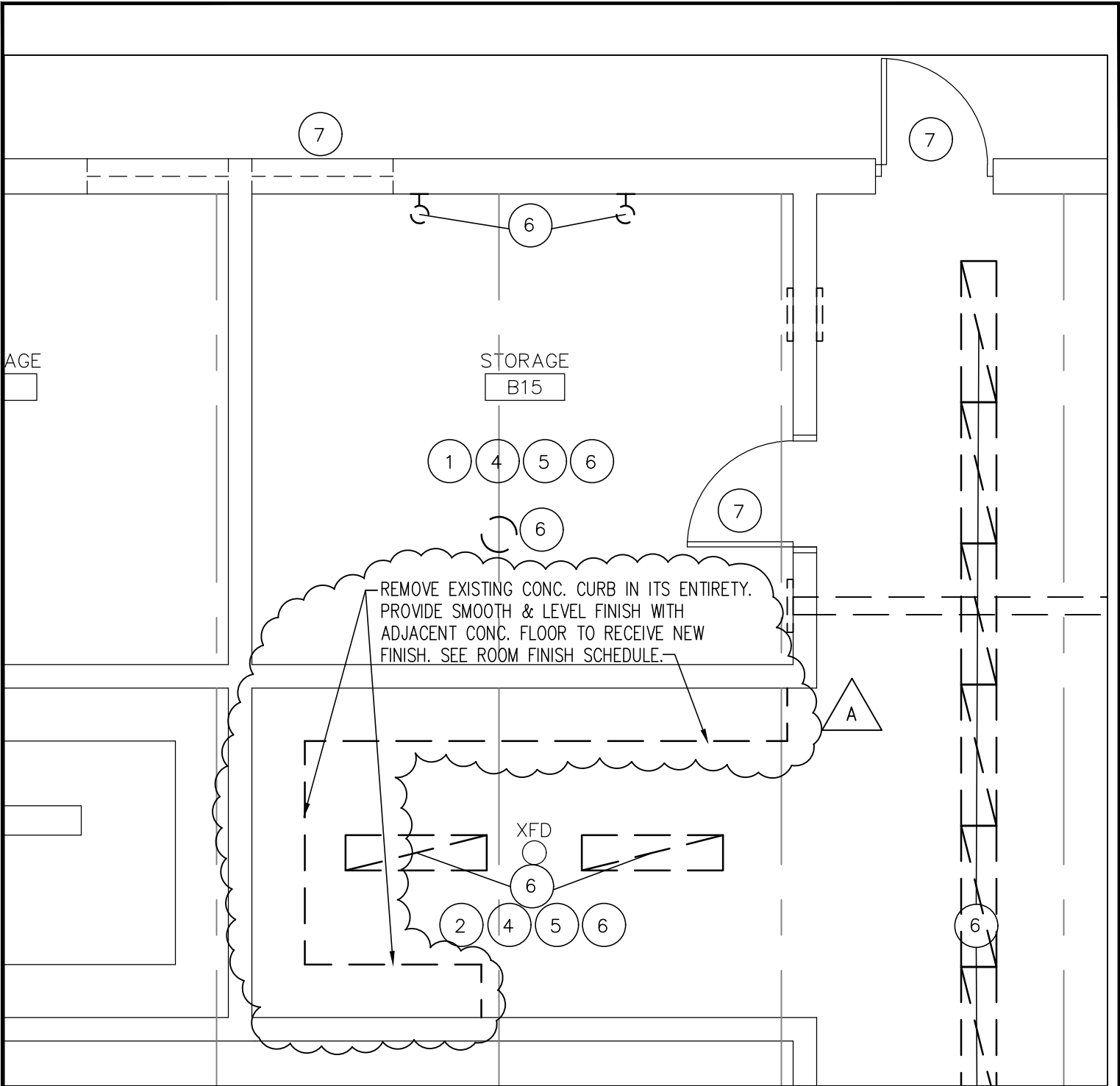
1 WELDING LAB – EXISTING/DEMOLITION FLOOR PLAN
D-1 SCALE: 1/4" = 1'-0"



GARRISON ARCHITECTS

A Professional Corporation of Architects and Planners
713 CREEK ROAD, BELLMAWR, NEW JERSEY 08031 (856) 396-6200

PROJECT NAME: SALEM COUNTY CAREER & TECHNICAL HIGH SCHOOL 2024 ADDITION & RENOVATIONS
PROJECT NUMBER: 21-125
DATE: 11/30/23
ADM-1.01



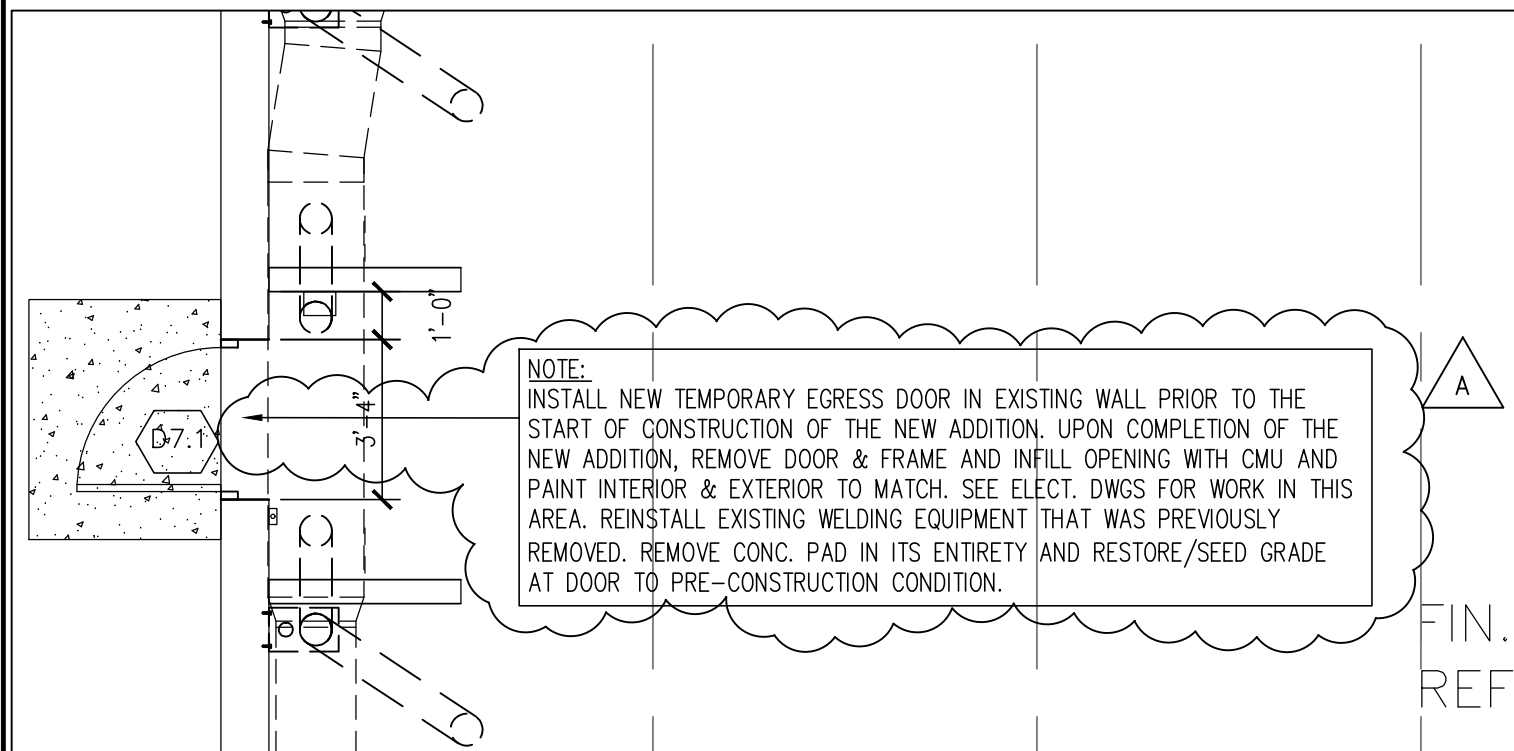
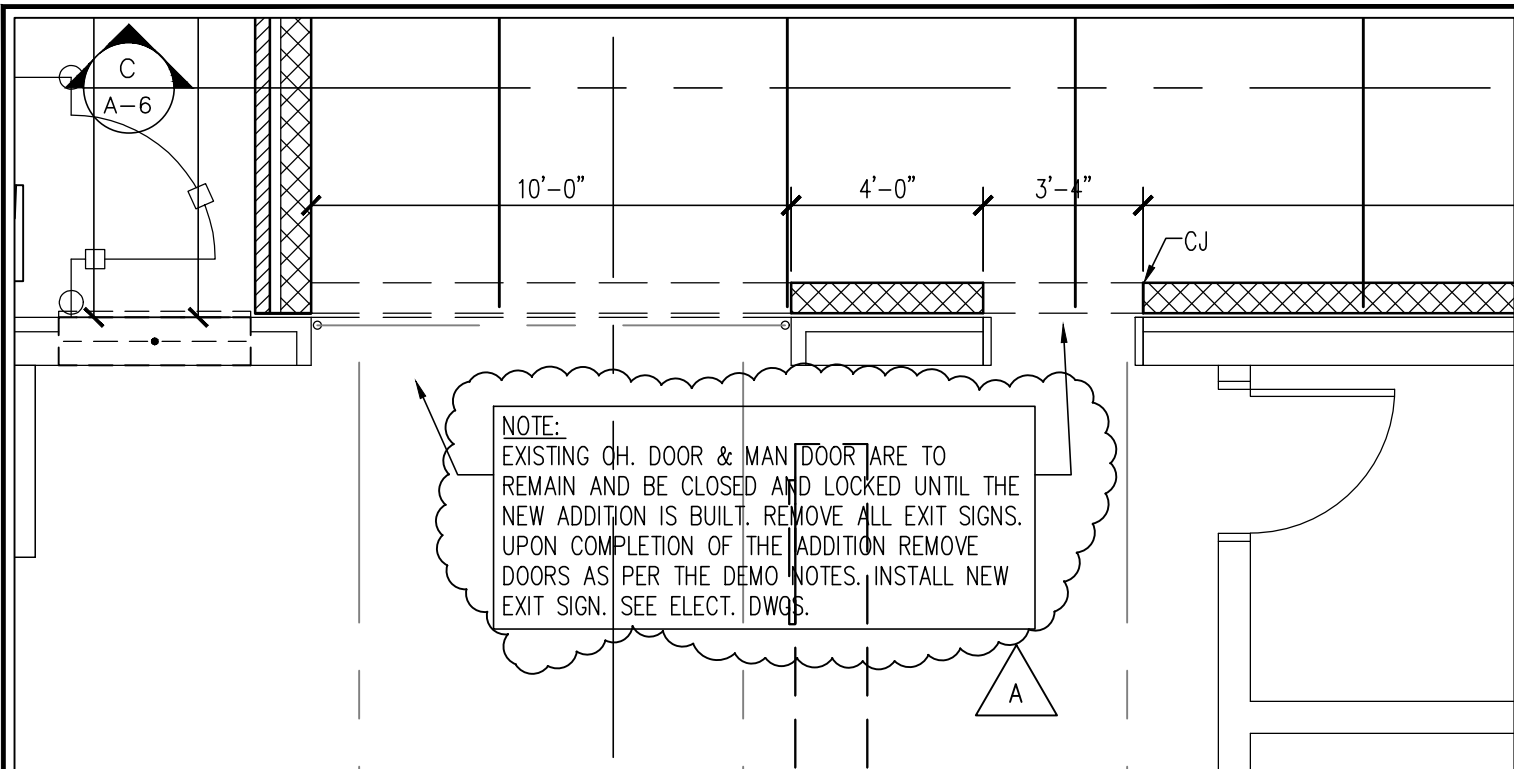
1 HVAC LAB – EXISTING/DEMOLITION FLOOR PLAN
D-2 SCALE: 1/4" = 1'-0"



GARRISON ARCHITECTS

A Professional Corporation of Architects and Planners
 713 CREEK ROAD, BELLMAWR, NEW JERSEY 08031 (856) 396-6200

PROJECT NAME: SALEM COUNTY CAREER & TECHNICAL HIGH SCHOOL 2024 ADDITION & RENOVATIONS
PROJECT NUMBER: 21-125
DATE: 11/30/23
ADM-1.02



1
A-1

PROPOSED FLOOR PLAN – SUBMERGED ARC WELDING LAB

SCALE: 1/4" = 1'-0"



GARRISON
ARCHITECTS

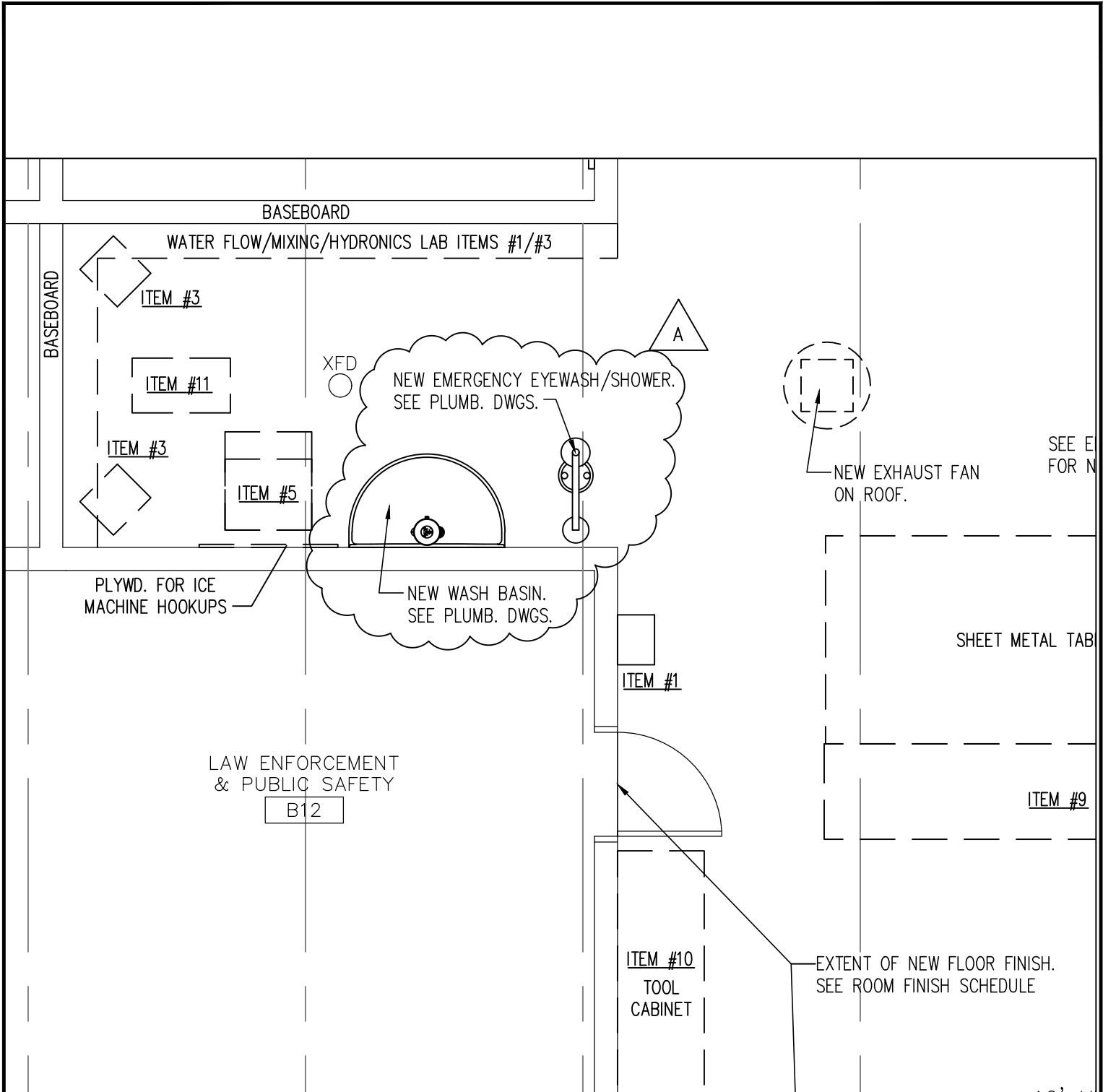
A Professional Corporation of Architects and Planners
713 CREEK ROAD, BELLMAWR, NEW JERSEY 08031 (856) 396-6200

PROJECT NAME:
SALEM COUNTY CAREER &
TECHNICAL HIGH SCHOOL
2024 ADDITION & RENOVATIONS

PROJECT NUMBER:
21-125

DATE:
11/30/23

ADM-1.03



1 PROPOSED HVAC LAB RENOVATION
 A-2 SCALE: 1/4" = 1'-0"



GARRISON
ARCHITECTS

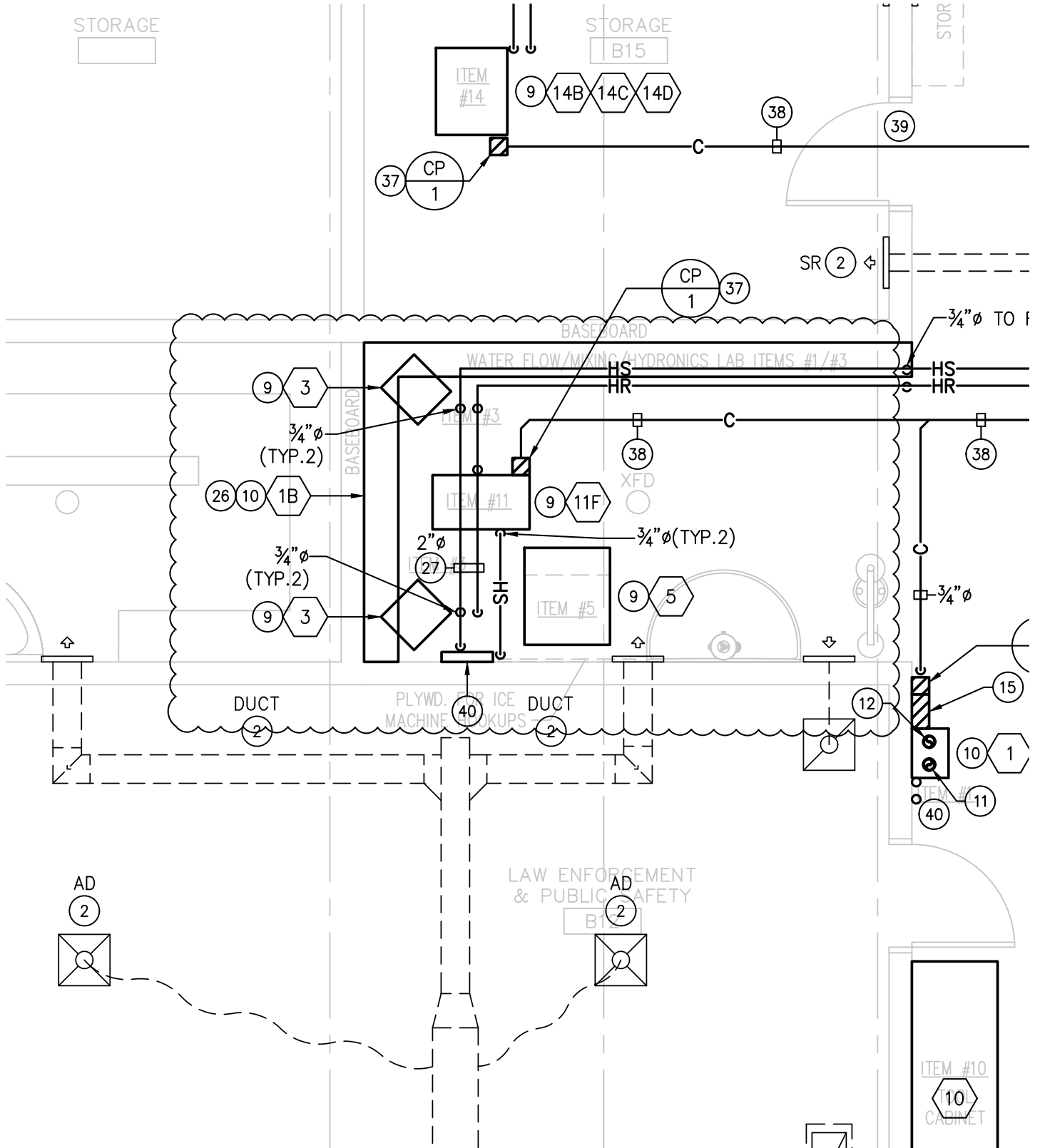
A Professional Corporation of Architects and Planners
 713 CREEK ROAD, BELLMAWR, NEW JERSEY 08031 (856) 396-6200

PROJECT NAME:	SALEM COUNTY CAREER & TECHNICAL HIGH SCHOOL 2024 ADDITION & RENOVATIONS
PROJECT NUMBER:	21-125
DATE:	11/30/23
ADM-1.04	

FOX & ASSOCIATES
ENGINEERING
INCORPORATED

25 Bala Avenue, Suite 204 , PO Box 120
Bala Cynwyd, Pennsylvania 19004
Phone: 610-664-0855 Fax 610-664-7150
web: www.jfoxhvac.com

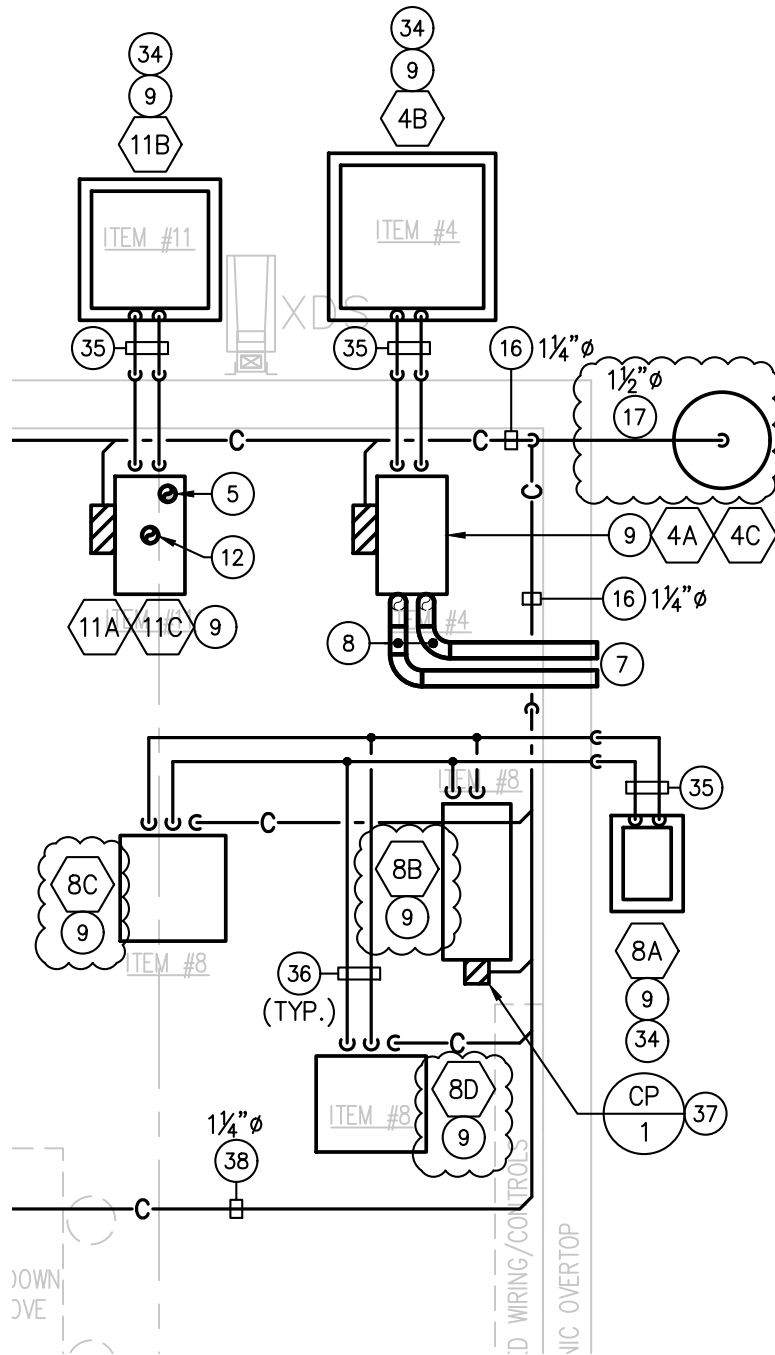
JOB SALEM COUNTY CAREER & TECHNICAL HIGH SCHOOL
TITLE ADDENDUM #1 - HVAC LAB PIPING LAYOUT
SHEET NO. SKM-1 OF 3
DATE 12-01-23 JOB NUMBER 6290
SCALE 1/4" = 1'-0"



FOX & ASSOCIATES
ENGINEERING
INCORPORATED

25 Bala Avenue, Suite 204 , PO Box 120
Bala Cynwyd, Pennsylvania 19004
Phone: 610-664-0855 Fax 610-664-7150
web: www.jfoxhvac.com

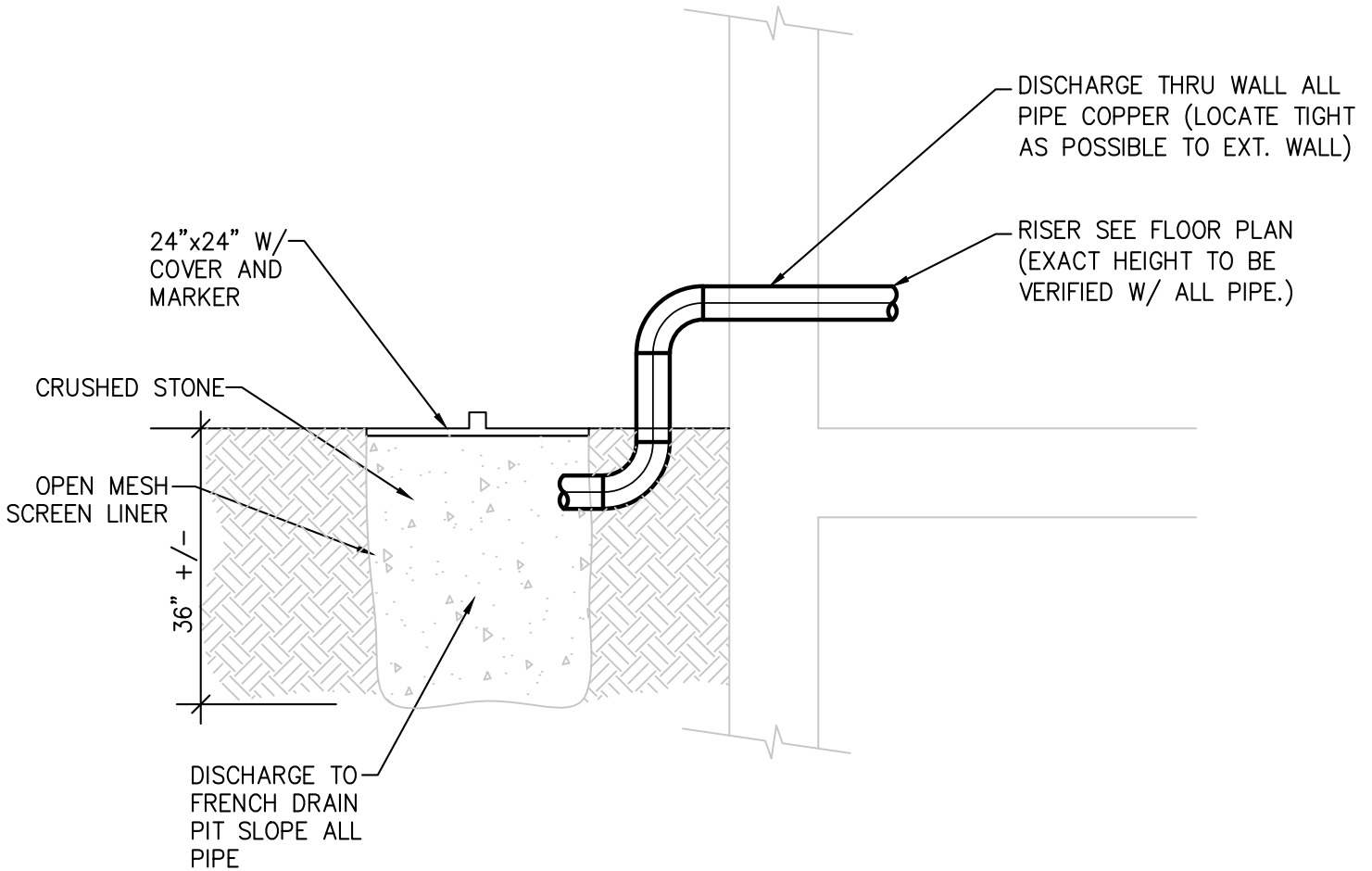
JOB SALEM COUNTY CAREER & TECHNICAL HIGH SCHOOL
TITLE ADDENDUM #1 - HVAC LAB EQUIPMENT CLARIFICATION
SHEET NO. SKM-2 OF 3
DATE 12-01-23 JOB NUMBER 6290
SCALE 1/4" = 1'-0"



FOX & ASSOCIATES
ENGINEERING
INCORPORATED

25 Bala Avenue, Suite 204 , PO Box 120
Bala Cynwyd, Pennsylvania 19004
Phone: 610-664-0855 Fax 610-664-7150
web: www.jfoxhvac.com

JOB SALEM COUNTY CAREER & TECHNICAL HIGH SCHOOL
TITLE ADDENDUM #1 - FRENCH DRAIN DETAIL
SHEET NO. SKM-3 OF 3
DATE 12-01-23 JOB NUMBER 6290
SCALE NTS



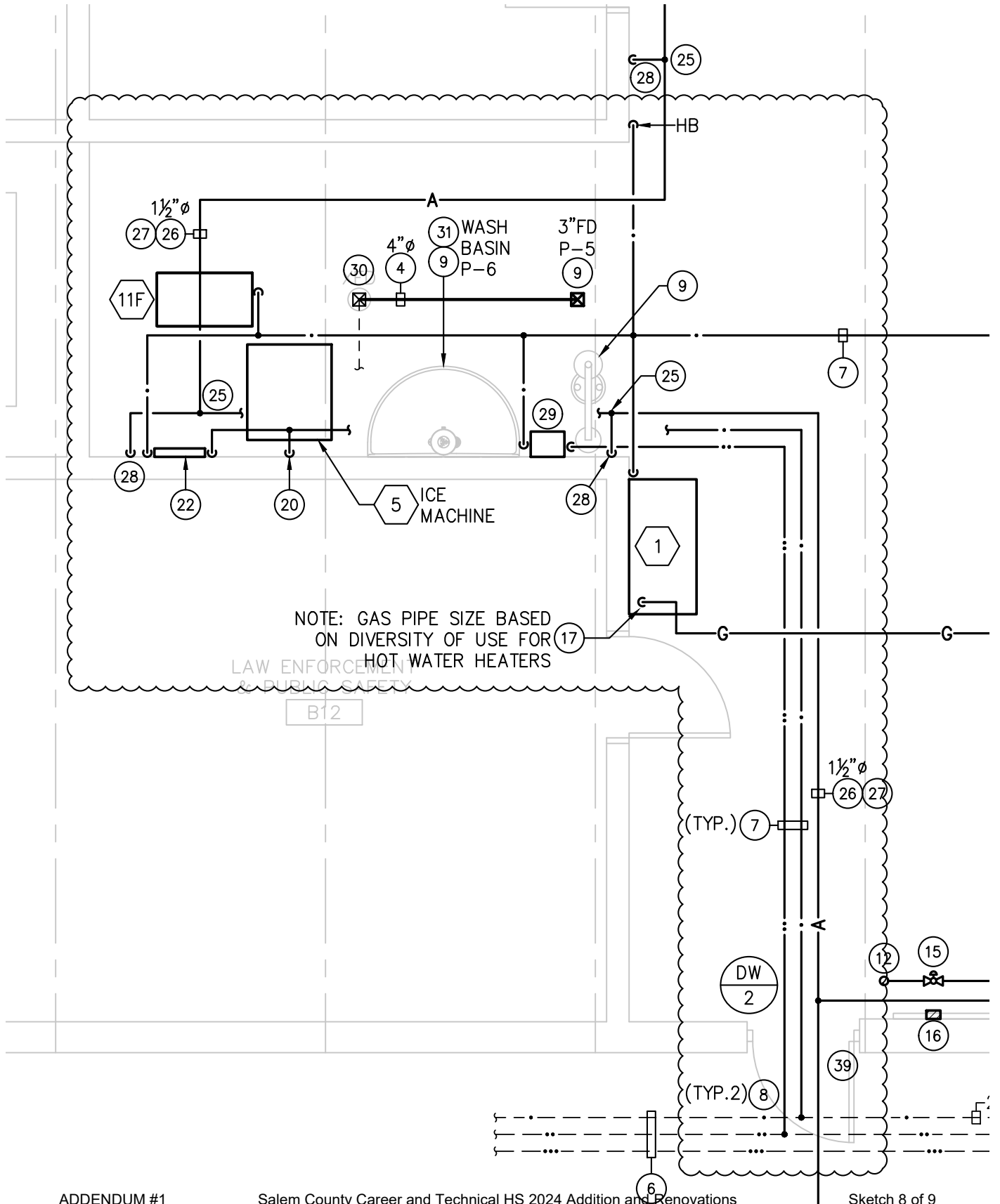
DETAIL FRENCH DRAIN

SCALE: NO SCALE

FOX & ASSOCIATES
ENGINEERING
INCORPORATED

25 Bala Avenue, Suite 204 , PO Box 120
Bala Cynwyd, Pennsylvania 19004
Phone: 610-664-0855 Fax 610-664-7150
web: www.jfoxhvac.com

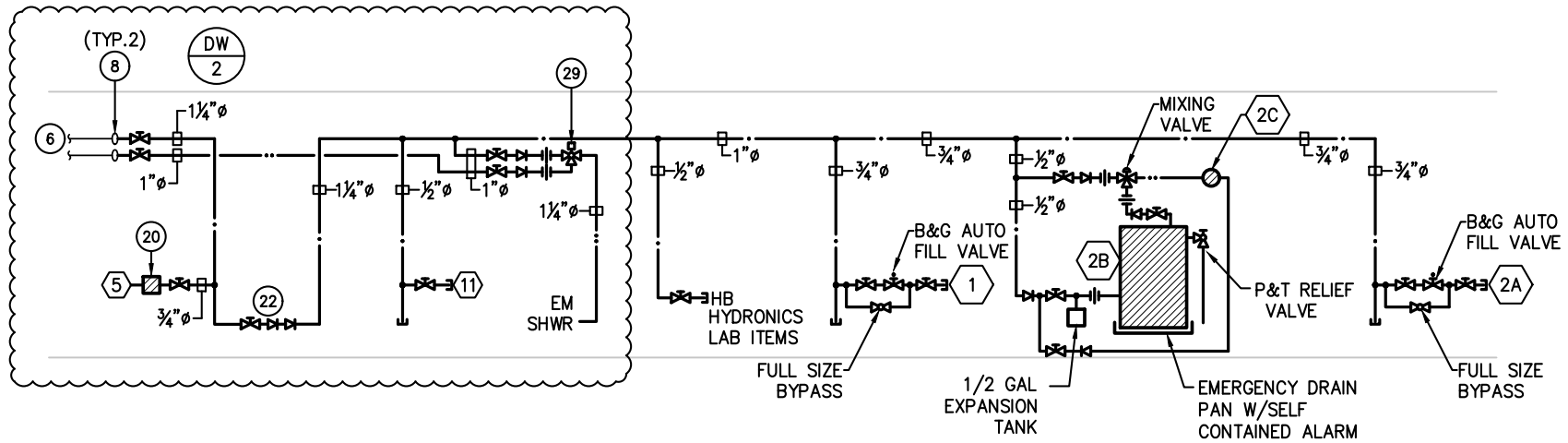
JOB SALEM COUNTY CAREER & TECHNICAL HIGH SCHOOL
TITLE ADDENDUM #1 - HVAC LAB PLUMBING FIXTURES
SHEET NO. SKP-1 OF 2
DATE 12-01-23 JOB NUMBER 6290
SCALE 1/4" = 1'-0"



FOX & ASSOCIATES
ENGINEERING
INCORPORATED

25 Bala Avenue, Suite 204 , PO Box 120
Bala Cynwyd, Pennsylvania 19004
Phone: 610-664-0855 Fax 610-664-7150
web: www.jfoxhvac.com

JOB SALEM COUNTY CAREER & TECHNICAL HIGH SCHOOL
TITLE ADDENDUM #1 - HVAC LAB DOMESTIC WATER RISER
SHEET NO. SKP-2 OF 2
DATE 12-01-23 JOB NUMBER 6290
SCALE NTS



HVAC LAB-DOMESTIC WATER PIPING DIAGRAM

SCALE: NO SCALE